

CHARACTERISTICS

- SINGLE-ACTING PNEUMATIC PUMP;
- PUMP:
2 cm³ PER CYCLE;
- RATIO: 50:1;
- 2KG AND 0.5 KG GREASE RESERVOIR CAPACITY
- MINIMAL LEVEL SENSOR AS STANDARD;
- AIR SUPPLY PRESSURE:
44 ÷ 88 psi (3 ÷ 6 bar);
- GREASE PUMP

A SIMPLE YET VERSATILE PNEUMATIC PUMP

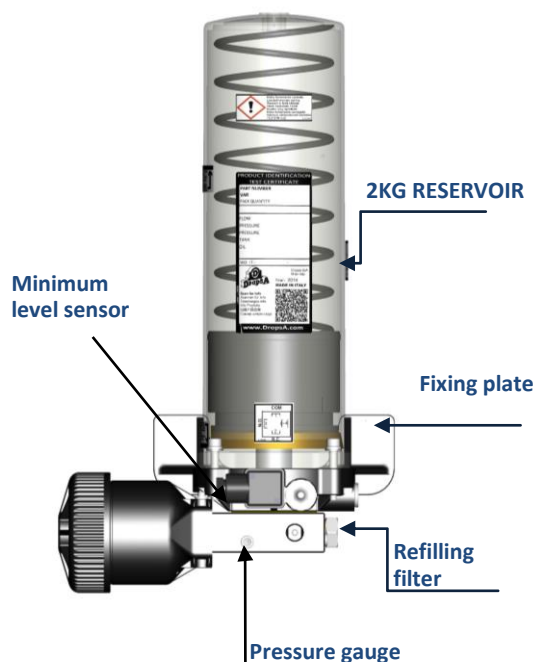
IDEAL FOR USE IN SMALL AND MEDIUM SINGLE-LINE PROGRESSIVE DIVIDER SYSTEMS

LOCOPUMP S3 is an ideal single acting pneumatic pump generally used in single line progressive divider lubrication systems such as nP- nPr, SMX, SMO, SMP or SMPM.

LOCOPUMP S3 is available with 0.5 and 2 kg reservoir with spring loaded follower plate, which means it can easily handle NLGI grade 2 grease.

The transparent reservoir allows the user to clearly see the quantity of grease remaining and a low-level grease switch is present to provide remote alarm signals to the machine it is mounted on.

Additionally, the reservoir lid can be installed with a Dropsa maximum level sensing device.



High Reliability is guaranteed by the use of hardened steel in the construction in all the pumping element components and the pump piston is manufactured in ground-hardened steel.

The front Fill port is also equipped with a filling filter to ensure that only clean lubricant enters the reservoir.

The pump provides a simple but very cost-effective solution for use on many small to mid-range grease lubrication systems and is ideal to be used on machines where compressed air is available.

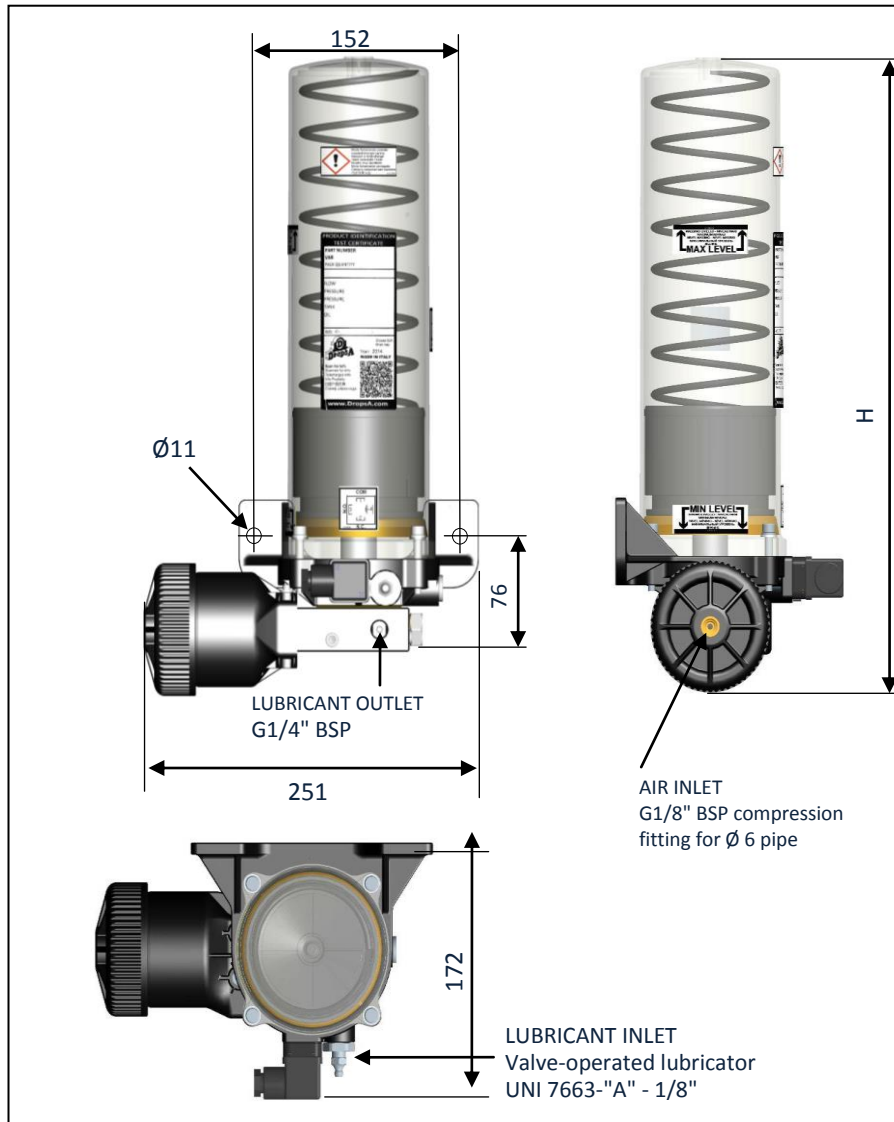
TECHNICAL INFORMATION

| TECHNICAL CHARACTERISTICS | |
|-----------------------------------|--|
| Air pressure | 44 ÷ 88 psi (3 ÷ 6 bar) |
| Compressed air inlet | G 1/8 UNI - ISO 228/1 with cone seating for 6mm tube |
| Reservoir refilling | Grease nipple with check valve UNI 7663 – "A" – 1/8" |
| Lubricant outlet | G ¼ UNI – ISO 228/1 |
| Reservoir return | G ¼ UNI – ISO 228/1 |
| Fixed delivery | 2 cm ³ / stroke |
| Adjustment delivery (kit 3133390) | 0.5÷2 cm ³ / stroke |
| Lubricants allowed | Grease max NLGI 2 |
| Piston total stroke | 36.5 mm |
| Working temperature | +5 ÷ +50°C (41 ÷ 122 °F) |

APPLICATIONS

- LUBRICATION IN VEHICLES AND MOBILE PLANTS;
- MACHINE TOOLS: SUCH AS MACHINES FOR WORKING SHEET METAL OR WOOD;
- BENDING MACHINES;
- INJECTION PRESSES FOR PLASTICS.

DIMENSIONS (NOT TO SCALE)



ORDER INFORMATION

| DESCRIPTION | RESERVOIR | P. No |
|------------------------------|-----------------|----------|
| LOCOPUMP S3 R=50:1 | 4.4 lb (2 Kg) | 3413050 |
| LOCOPUMP S3 R=50:1 | 1.1 lb (0.5 Kg) | 3413060 |
| Preloaded LOCOPUMP S3 R=50:1 | 4.4 lb (2 Kg) | 3413050C |

SPARE PARTS

| DESCRIPTION | P. No |
|-------------------------|---------|
| Tank 4.4 lb (2 Kg) | 3044522 |
| 1.1 lb (0.5 Kg) | 3044525 |
| Fixing plate | 3045202 |
| Pump body | 3413502 |
| Minimum level sensor | 1655183 |
| Refilling filter | 0712100 |
| Gasket exchange kit | 3133936 |
| Delivery regulation kit | 3133390 |
| Pressure gauge | 0020604 |

Distributor Info: