

CHARACTERISTICS

- FOR OIL AND FLUID GREASE
- COMPATIBLE WITH SYSTEM 01 VALVES 33 SYSTEM 26
- UNIQUE OPTICAL LEVEL SENSOR FOR OIL AND FLUID GREASE
- FLOATING SWITCH LEVEL SENSOR
- RESERVOIR CAPACITY: 3-6 L
- FLOW RATE: 350-500 CM³/MIN 600-850 CM³/MIN
- RELEASE VALVE INCLUDED
- ADJUSTMENT VALVE PRESSURE

APPLICATIONS

- PRESSES WITH MID-SIZED DIMENSIONS
- TOOL MACHINES
- PACKAGING PRODUCTION MACHINES
- GEAR UNITS
- PRESSES OF PLASTIC INJECTION

EASY AND AFFORDABLE SOLUTION FOR PROGRESSIVE AND INJECTOR SYSTEMS

EFFICIENT AND INEXPENSIVE

Being compact and versatile, the **DRAGON-X** pump unites efficiency and affordability into a unique and simple solution; for injector and progressive systems for oil and fluid grease of a NLGI 000 grade.

EASY TO USE

The external position of the distributor block, inside of which all the release features are concentrated, allows any type of adjustment and connection to be easily carried out.

The reservoir can be filled in a simple and quick way thanks to the over-sized cap.

The perfect solution for different types of applications in a single product.



AVAILABLE IN TWO VERSIONS:

EQUIPPED WITH A FLOATING SWITCH GAUGE LEVEL SPECIFICALLY FOR OIL LUBRICATION

The system equipped with a floating switch for signalling a minimum level is used for oil lubrication.

The floating switch gauge level is provided with a voltage-free contact and therefore, it does not need a power supply. These characteristics allow this pump to be replaced with others belonging to the Dragon Series.

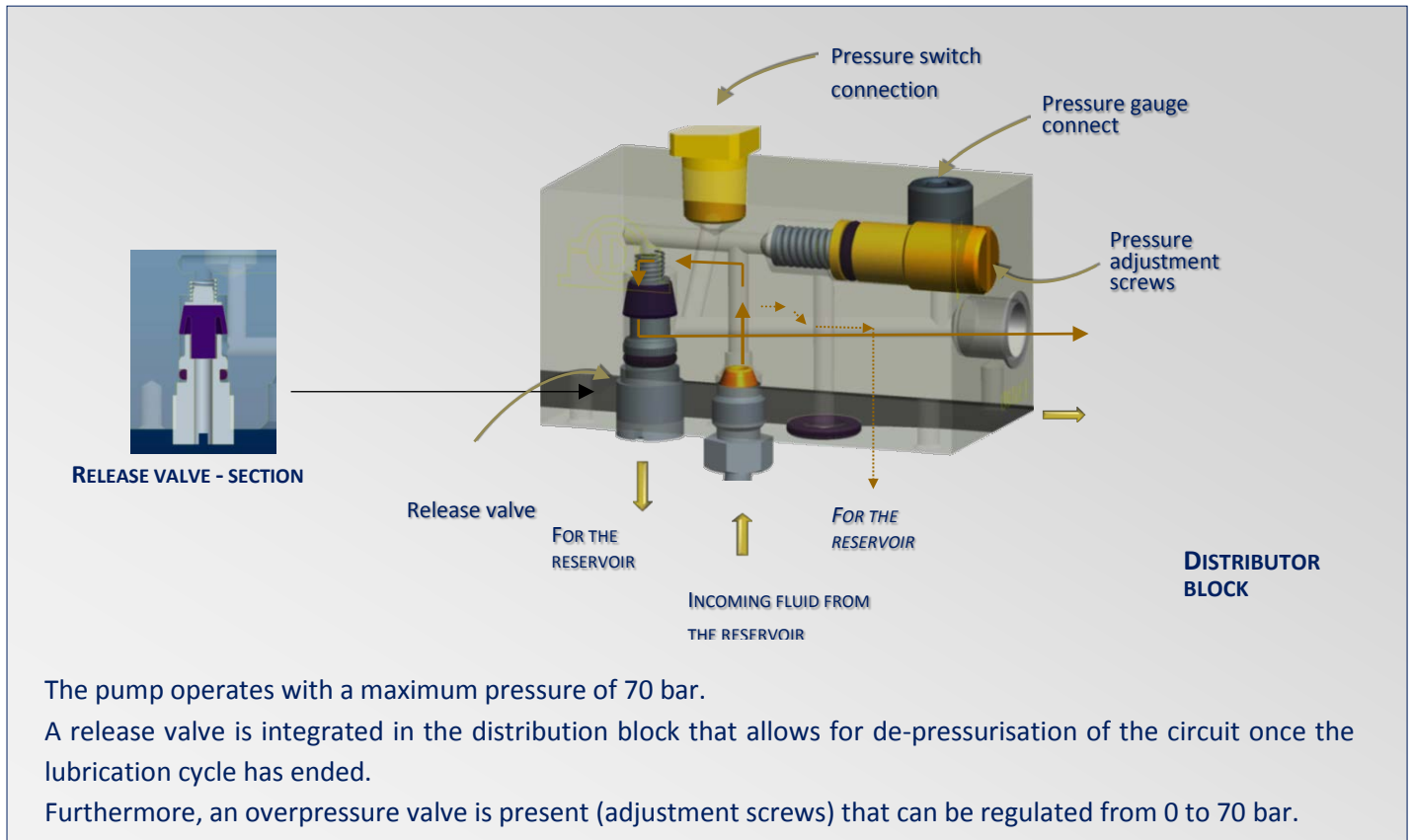
The floating switch gauge level can be easily replaced with an optical level sensor without the need to carry out any modifications to the pump.

EQUIPPED WITH AN OPTICAL LEVEL SENSOR, PERFECT FOR BOTH OIL AND FLUID GREASE LUBRICATION (NLGI 000).

The **DRAGON-X** with an optical level sensor can be used both with lubrication oils as well as with fluid grease.

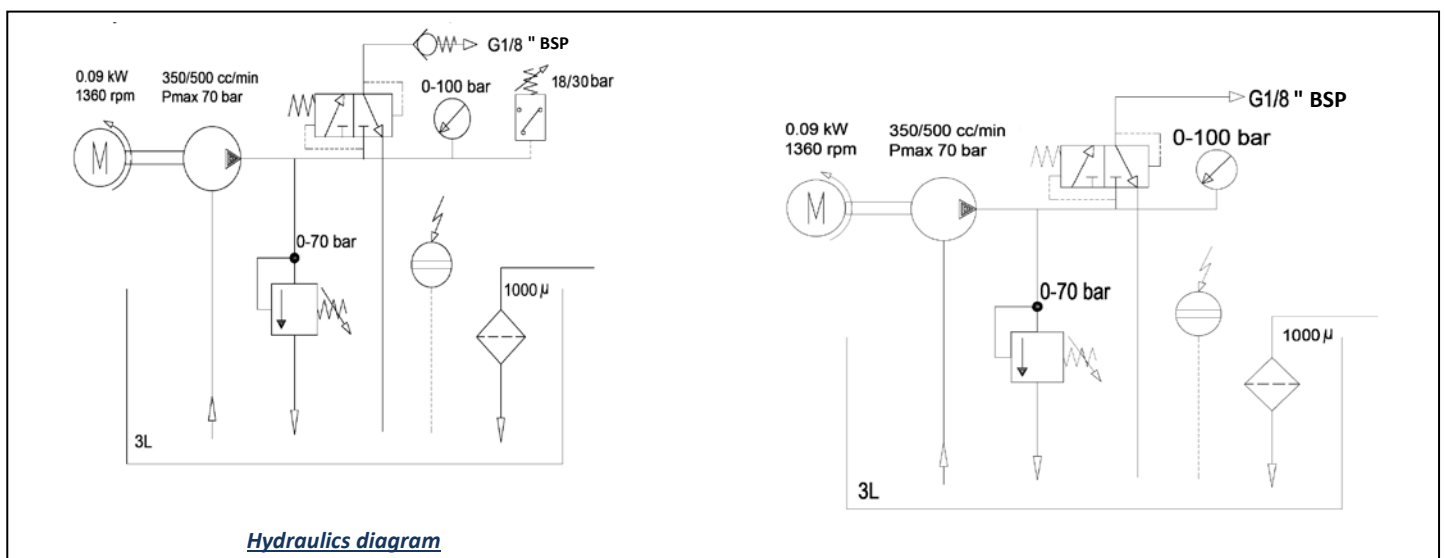
Thanks to the DropsA patented technology of the optical level sensor, monitoring the minimum level includes greases up to a grade of up to NLGI000.

OPERATING PRINCIPLE



TYPES OF PUMPS ON WHICH THE DRAGON-X PUMP CAN BE USED.

- Lubrication systems with injectors and circulation systems with operating pressures of <20 bar - **System 01**;
- Lubrication systems equipped with "direct response" feeders with operating pressures of <50 bar - **33V system**;
- Progressive lubrication systems and circulation systems, controlled by progressive feeders with operating pressures of <70 bar - **System 26**; A check valve is available for this version.



VIP5 CONTROLLER IS THE IDEAL CONTROLLER DEVICE TO BE USED WITH THE DRAGON-X PUMP.

TECHNICAL INFORMATION

ELECTRICAL SPECIFICATIONS

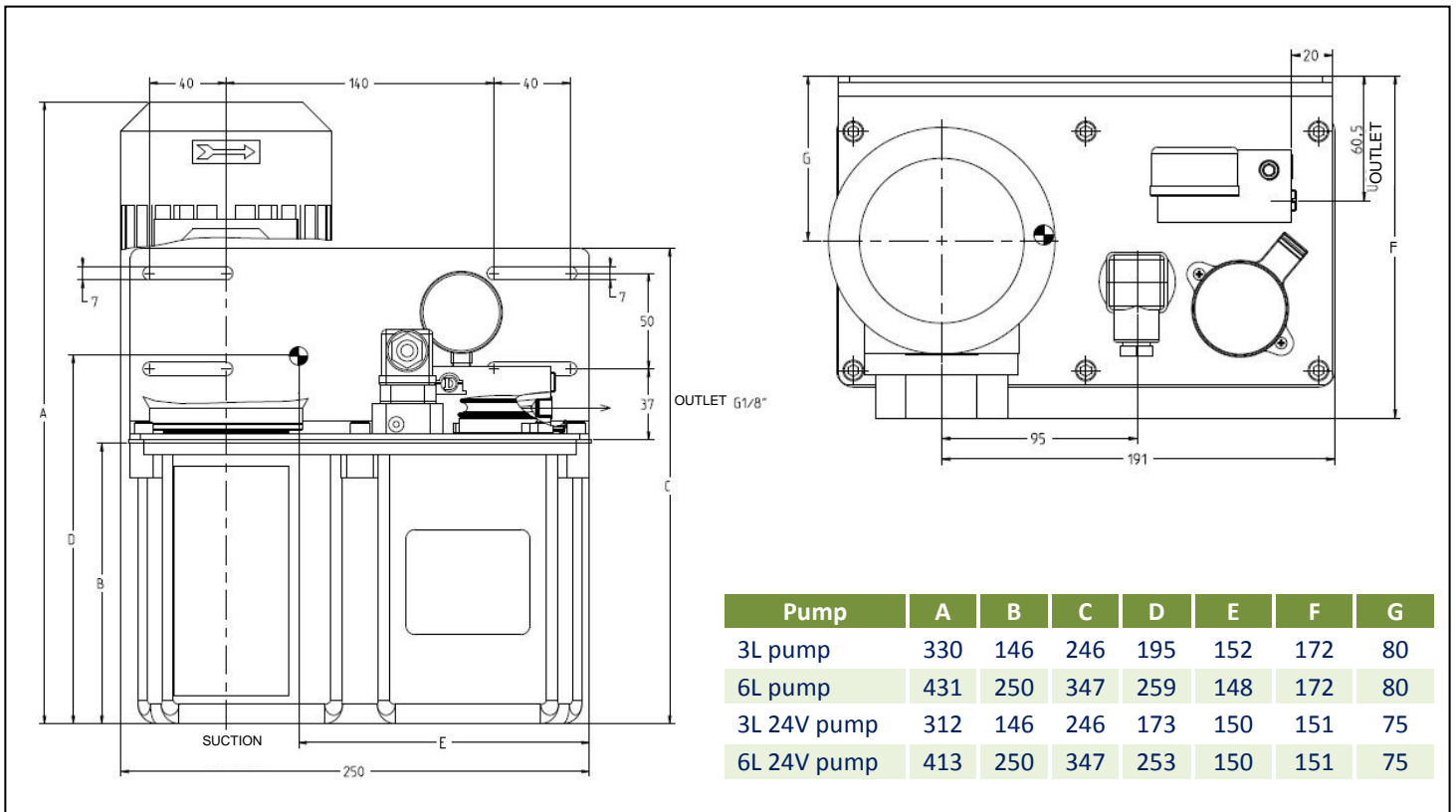
Motor protection degree	IP 55
Minimum level	Optical sensor (oil and fluid-grease versions) / with a floating switch (only versions for oil)
Optical level sensor power supply	8÷28 V DC, reverse-polarity protected
Optical level sensor output signal	NPN/PNP protected from short circuiting, off in case of a low level. Max 1.7A
Connector for level (optical floating switch)	DIN 43650
Floating switch level output signal	Voltage-free contact max. voltage, 50V, max. power 40 W. SPDT contact.
Pressure switch	Closed contact in max. setting pressure alarm (3-18-30 bar)
Pressure switch output signal	Voltage-free contact, max. voltage, 42V, max. power 100 W

HYDRAULIC SPECIFICATIONS

Pumping system	Gear pump
Maximum operating pressures	- 70 bar three-phase motor (during intermittent operation, max 5 min con pause ratio of 1:1) - 40 bar (single-phase motor) - max. 30 bar in continuous operation
Outlet connection	G1/8" BSP
Reservoir capacity	3L/6L
Filter	Degree of filtration 1000 µ
Bypass valve	Adjustable 0÷70 bar – precalibrated 40 bar (35 bar for single-phase motors)
Temperature of use	+ 5 ÷ + 70 °C
Operating humidity	90% R.H.
Permitted lubricants	Mineral oil lubricant, min. 32 cSt; max. grease NLGI000;
Storage temperature	-20 ÷ +65 °C
Continuous sound pressure level	< 70 dB(A)

NOTE: The specifications refer to an operating temperature of +20°C (+68°F)

DIMENSIONS





ORDER INFORMATION

AVAILABLE VERSIONS				
Electric motor	FLOW RATE	RESERVOIR CAPACITY:	PART NUMBER (with an optical level sensor for use with oil or fluid grease)	PART NUMBER (with a floating switch level sensor only for use with oil)
230-400 V 50 Hz three-phase - 0.09 KW 4P 265-460 V 60 Hz three-phase - 0.11 KW 4P	350 CC	3 L	3905000	3905040
		6 L	3905001	3905041
	500 CC	3 L	3905004	3905044
		6 L	3905009	3905049
110 V 50 Hz single-phase – 0.09 KW 4P	350 cc	3 L	3905007	3905047
		6 L	3905012	3905052
	500 cc	3 L	3905008	3905048
		6 L	3905013	3905053
230 V 50 Hz single-phase – 0.09 KW 4P	350 cc	3 L	3905005	3905045
		6 L	3905010	3905050
	500 cc	3 L	3905006	3905046
		6 L	3905011	3905051
24V DC	600 cc	3 L	3905002	3905042
		6 L	3905003	3905043
	850 DC	3 L	3905014	3905054
		6 L	3905015	3905055

NOTE: For all models, the following characteristics apply.
Bypass setting pressure 40 bar (35 bar for single-phase motors); pressure switch 18 bar; pressure gauge 0 – 100 bar.

SPARE PARTS		
ITEM	DESCRIPTION	PART NUMBER
PUMP	Flow rate 350 cc*	3099186
	Flow rate 500 cc*	3099187
MOTOR	230-400 V 50 Hz three-phase - 0.09 KW 4P 265-460 V 60 Hz three-phase - 0.11 KW 4P	3301544
	230 V 50 Hz single-phase – 0.09 KW 4P	3301545
	110 V 50 Hz single-phase – 0.09 KW 4P	3301546
	24V DC	3301283
	OPTICAL LEVEL SENSOR	For 3L reservoir For 6L reservoir
LEVEL FLOATING SWITCH INDICATOR	For 3L reservoir For 6L reservoir	3133627 3133628
PRESSURE/OUTLET MANIFOLD		1525370
RESERVOIR	3 L	6770033
	6 L	6770006
PRESSURE GAUGE	0-100 bar	0020564

* refers to 1500 RPM

ACCESSORIES		
ITEM	DESCRIPTION	PART NUMBER
PRESSURE SWITCH	Pressure setting 3 bar	3291028
	Pressure setting 18 bar	3291048
	Pressure setting 30 bar	3291022
Pressure switch cap		3042098
PRESSURE GAUGE	0-16 bar	0020566
Check valve		0092335

Distributor Info:

C2150PE WK 09/16

Dropsa products can be purchased at Dropsa branches and authorised distributors. Go to www.dropsa.com/contact or write to sales@dropsa.com