



HOW TO KEEP AN EYE ON YOUR MQL PROCESS?

WITH OUR MEASURING KIT
AND EVALUATION UNIT!

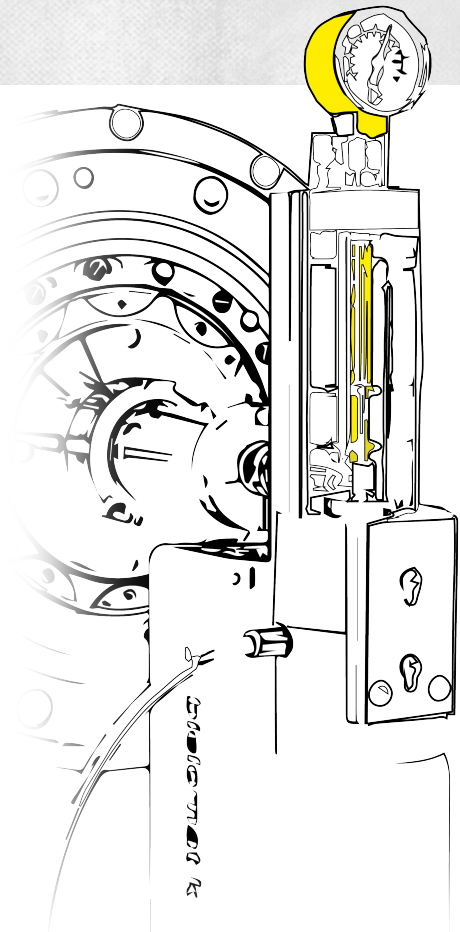
MEASURING KIT AND EVALUATION UNIT FOR THE 2-CHANNEL MQL SYSTEM

Measuring kit for calibration and / or control of fluid volumes

- Measuring of fluid volume (1000 mm³ and 650 mm³)
- Emptying via outlet valve by use of air
- Control is possible by pressure difference (2 bar and > 4 bar) or by direct signal from control unit
- Collecting container for MQL fluid
- Power supply (24 VDC) via PLC control or evaluation unit
- Function control via transparent measuring column and air-pressure gauge
- Manual or automatic control possible

FEATURES

- Active actuation of outlet valve – always fully open
- Optical sensors are non-sensitive to different oils and temperatures
- No pressure difference needed for control
- 270° visibility of measuring column
- 360° Rotating air pressure gauge
- Compatible with older MQL Controller with optional evaluation unit
- External power supply
- Improved design which is more user friendly

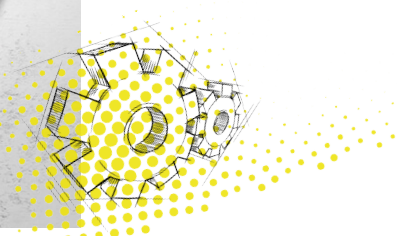


Evaluation unit for for indication of oil volume in ml/hour

- Automatic evaluation of sensor data from measuring kit and calculation of oil volume dosed in ml/hour
- Transfer of signals from and to PLC control system
- External power feed with power supply unit
- Manual actuation of outlet valve

FEATURES

- Outlet valve can be manually switched directly when measuring kit is in digital mode
- 24 VDC power supply for measuring kit even when there is a 5-pole line to the PLC control system
- The optional evaluation unit can be located outside of the work envelope with connecting cable
- Improved design has the ability to be installed and viewed in 3 directions when mounted in the machine



MEASURING KIT AND EVALUATION UNIT FOR THE 2-CHANNEL MQL SYSTEM

30028556 Measuring kit

SPARE PARTS

Catalogue nr.	Item
30028582	Tool holder HSK63 for measuring kit
30028524	Adapter for vertical spindle
30069185	Case with foam insert
30069143	Cable M12-plug, M12-bushing, 8-pole, 10 m
25219103	Socket key for HSK63S
25211413	Hexagon wrench key SW3
30028522	Adapter (Spare part for tool holder)
64204063	Gauge 10 bar
69110410	Container 250 ml capacity

ACCESSORIES

Catalogue nr.	Item
30069131	Cable M12-plug, M12 bushing, 8-pole 2 m
30028535	Tool holder HSK100 for measuring kit
30028531	Tool holder HSK40 for measuring kit
30028412	Adapter for manual tool holder HSK63 Other Tool Holders available upon request

30028556 Evaluation unit

SPARE PARTS

Catalogue nr.	Item
30069289	Case with foam insert
30069143	Cable M12 plug, M12 bushing, 8-pole, 10 m
67096108	Netzgerät 24VDC

ACCESSORIES

Catalogue nr.	Item
30069164	Cable with 12x1 bushing, 8 pole, A-coded to M12x1 plug, TPU
30069250	Cabel with M23 plug and M12x1bushing, TPU
30069270	Cable with M23 plug and M12x1 bushing, TPU GF, Ford specification 2014

EASY WITH US!

CONSULTING

FOR ECONOMICAL LUBRICATION

Saving resources, reducing the energy footprint, reducing costs, all relevant topics for our customers, and therefore relevant ingredients of our consulting.

To achieve these goals for our customers we do more than just point out strategies for more efficiency. Our commitment has a much wider scope. For example, sometimes we function as networker, coordinating all parties involved – from tool producer up to mechanical engineer and oil manufacturer, no matter if it's about minimal quantity lubrication or central lubrication.

CONTACT

DropsA - Bielomatik USA
6645 Burroughs Ave.
Sterling Heights, MI 48316

Phone: (586) 566-1540

www.dropsausa.com

bielomatik
SCHMIERTECHNIK
DropsA